

## 2-26.5GHz Low Noise Amplifier



### Product Overview

AT-LNA-0226-1204C is high gain low noise amplifier with 12dB gain in the frequency of 2-26.5GHz. The DC power requirement is +5V/80mA. The module is with SMA connector.

AT Microwave can provide all kinds of coaxial low noise amplifiers, with frequency from 0.01-67GHz, gain from 20 to 60dB, Pout from +5 to +27dBm, and connectors from SMA to 1.85mm. If you don't find what you need, just send us email [sales@atmicrowave.com](mailto:sales@atmicrowave.com)

### Advantages

- ✓ Frequency: 2-26.5GHz
- ✓ Small signal gain: 12dB
- ✓ NF=4dB
- ✓ Single Power Supply

### Application

- ✓ 5G Communication
- ✓ Test Equipment
- ✓ ROF (RF Over Fiber)
- ✓ Radar System

### Key Features

Parameter	Min	Typical	Max
Frequency		2-26.5GHz	
Gain	10	12 dB	
Gain Flatness		+/-1.0dB	+/-2dB
NF		4dB	5.5dB
P1dB		+14dBm	
Psat		+15dBm	
Drain Supply		+5V	+8V
Current		80 mA	
Input Return Loss		-10dB	
Output Return Loss		-10dB	
Spec Temp		12C	





# AT-LNA-0226-1204C

2-26.5GHz Low Noise Amplifier

## Mechanical Information

Item	Description
Input Port	SMA Female
Output Port	SMA Female
Case Material	Copper
Finish	Gold Plated
Package Sealing	Epoxy Sealed
Weight (Without Heatsink)	80g
Size:	See outline

## Absolute Maximum Ratings Table

Parameter	Value
Drain Supply	+13V
RF Input Power	+12 dBm
Operating Temperature(note)	-20 to + 70C
Storage Temperature	-65 to +150C

Note: -40 to +85C is available according to request.

### Caution:

Please pay attention to the case temperature. If case temperature exceed higher than +50C, heat sink and fan are required, or the amplifier may be damaged.

### Notes:

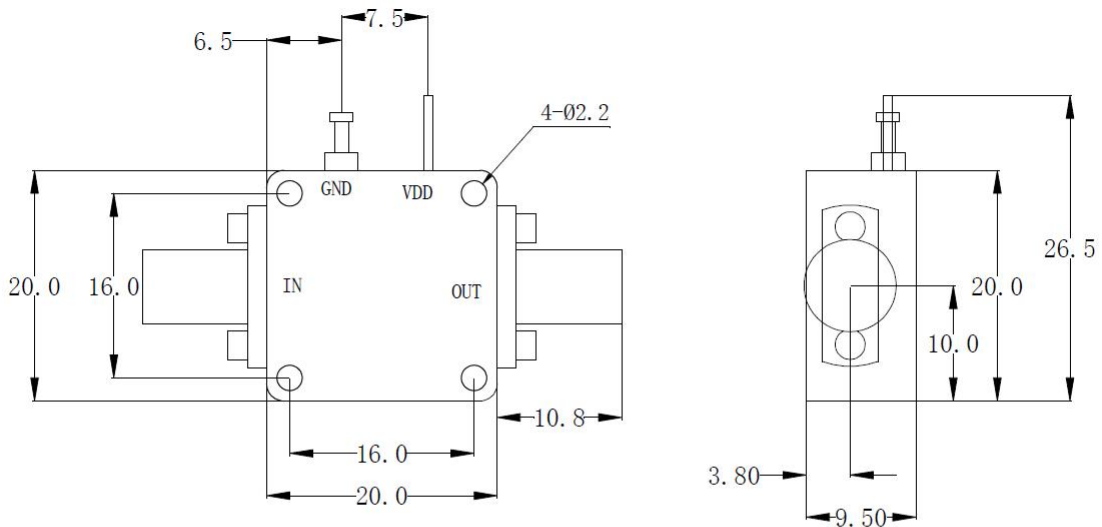
1. Datasheet may be changed according to update of MMIC, Raw materials , process, and so on.
2. This data is only for reference, not for guaranteed specifications.
3. Please contact AT Microwave team to make sure you have the most current data.



## Test Data (25C)

Please note that test curves will vary slightly from unit to unit.  
To be added.

## Dimension: (unit in mm)



	<26.5GHz	<40GHz	<50GHz	<67GHz
Connector	SMA	2.92mm	2.4mm	1.85mm
Length of a	9.4mm	9.5mm	10.8mm	11.3mm

Note: Female Default. Contact with us for other types.

